



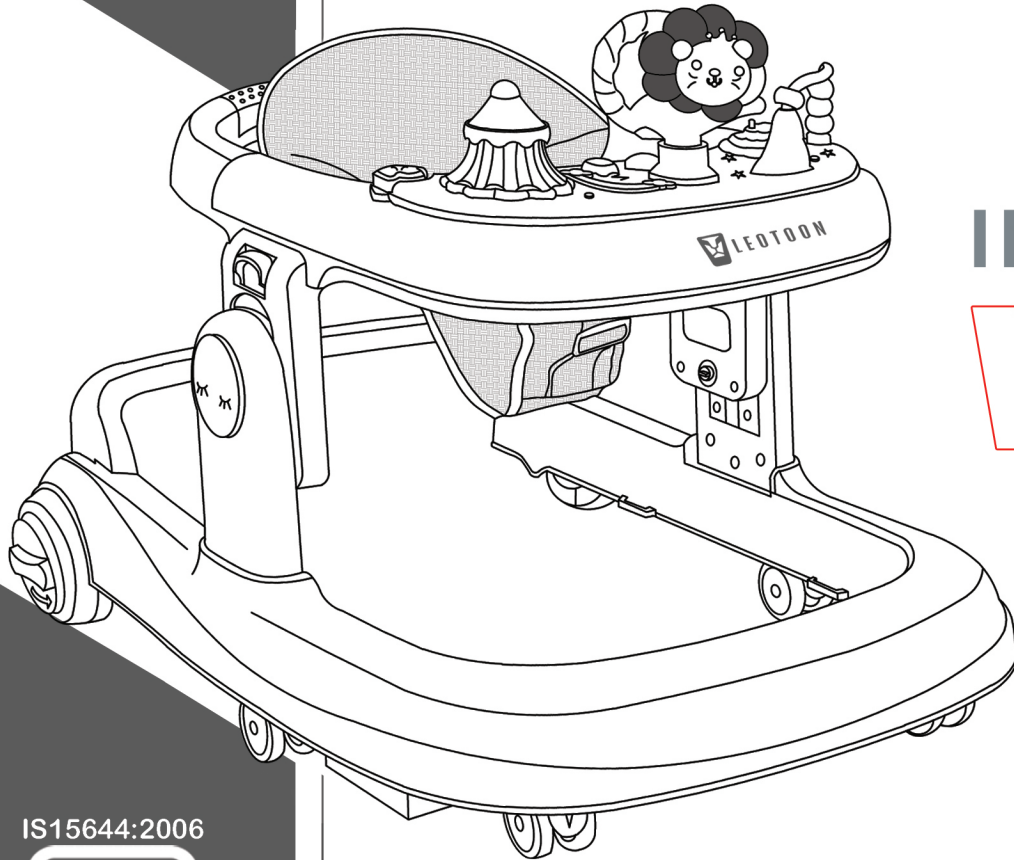
PRODUCT MANUAL

Assembly & Operational Instructions

⚠ WARNING

Please read instruction carefully before use and retain them in a safe place for future reference. Read all instruction before assembly and use of the walker.

LFW-KSN688



INDIA'S TOP BRAND

WALKER

SERIES

Baxley Baby Walker

IS15644:2006



CM/L6700079217

www.bis.gov.in

The Leotoon Baby Walkers are Manufactured in Accordance with the Product Safety Standards to **EN1273 & ASTM F977**

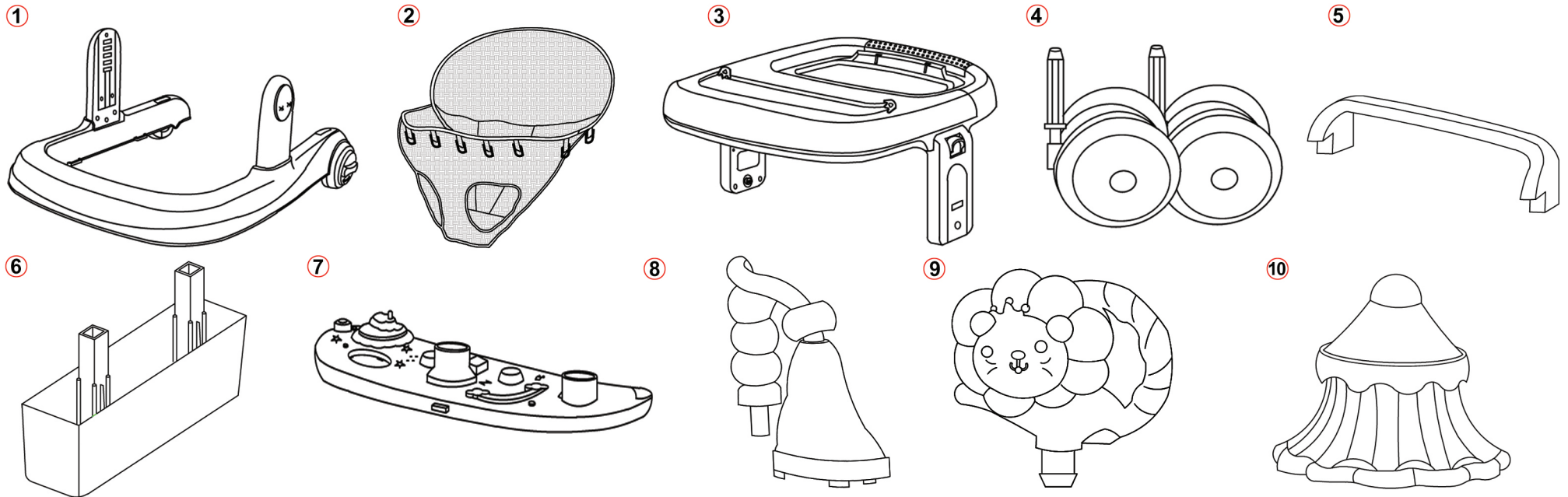
About "LEOTOON" Walker

Thank you for purchasing Leotoon Baby Walker. Leotoon Brand is Well-Known as for the most Comfortable and Safe Toys. Leotoon Brand is Committed to Offer a Colorful and Safe Childhood for your Children.



It is very important to read these instructions carefully before usage. This instruction Book not only specifies "**Assembly Process**" but also **Proper Application Method**. It also helps to avoid Injury or damage to the Product in case of Incorrect operation.

All Parts to be Assembled By Customer (DIY)



In case any missing parts are noticed; Please call **+91 9176-796-955** or write to **customercare@parul toys.co.in** rather than returning this product to the store. Wipe the surface of the each part with a clean, cloth to remove any dust. Please identify all parts before assembly and save all packaging material until assembly is completed to ensure that no parts are discarded.

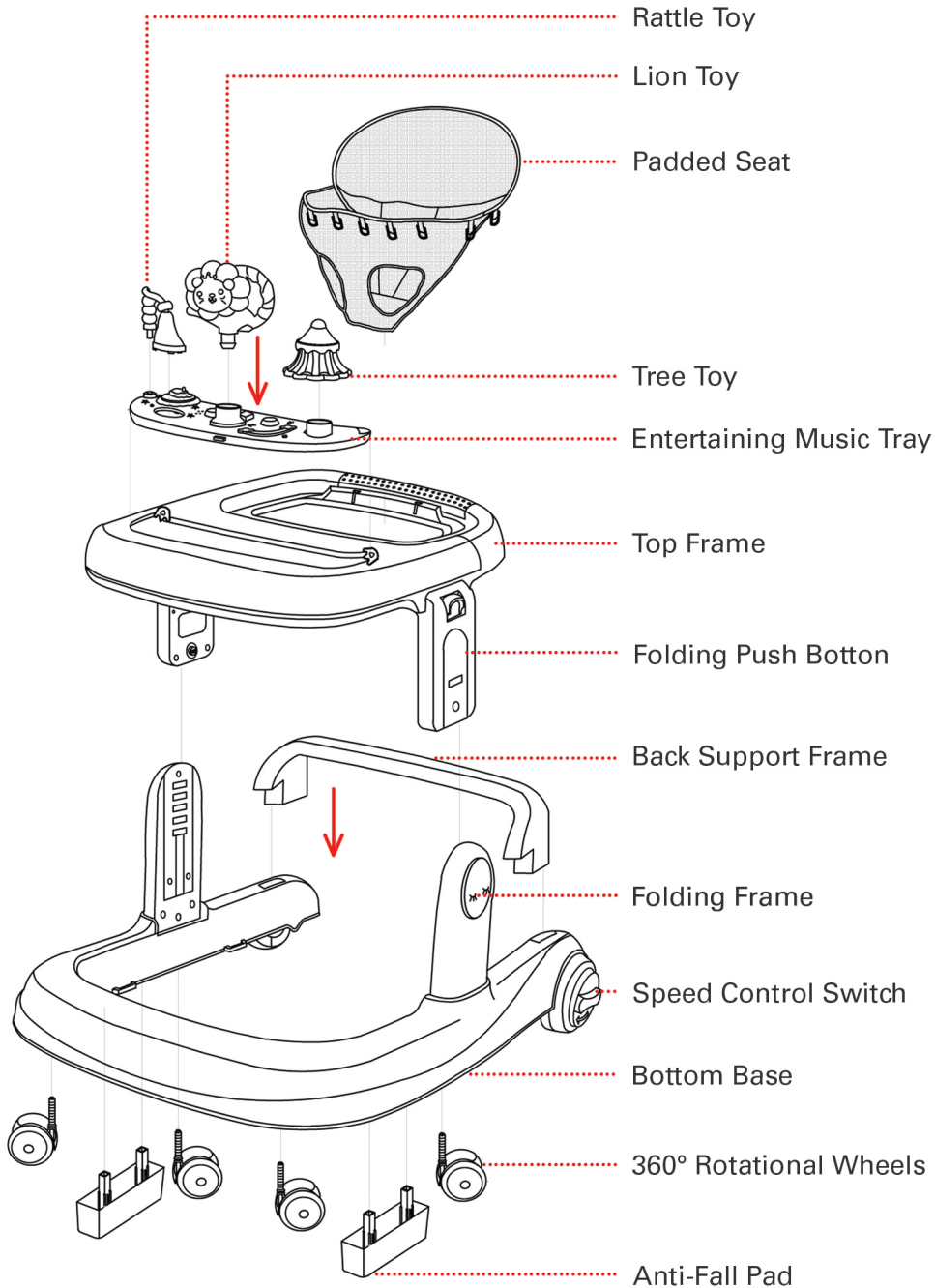
Walker Parts Details

1	Base Frame (1U)	6	Anti-Fall Pad (2U)
2	Padded Seat (1U)	7	Music Tray (1U)
3	Top Frame (1U)	8	Rattle Toy (1U)
4	Walker Wheel (4U)	9	Lion Toy (1U)
5	Support Frame (1U)	10	Tree Toy (1U)

Care and Maintenance :

1. To prolong the life of your walker, keep it clean and do not leave it in the direct sunlight for extended periods
2. Removable fabric covers to be cleaned using warm water with a mild detergent. Allow it to dry fully in shade.
3. Clean (Friction Components) regularly to maintain the performance.

* Optinal. (Some model may not have Foot Mat).



Technical Specification :

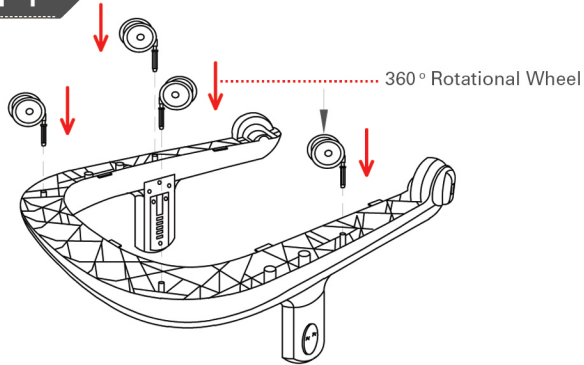
Model No	: LFW-KSN688
Package Size	: L 57.5 x B 15 x H 74 (Cm)
Product Size	: L 72.5 x B 61 x H 54 (Cm)
Gross Weight	: 4.600 Kg
Net Weight	: 3.600 Kg
Age	: 6 ~ 24 Months
Country of Origin	: India
Unit CBM	: 0.066
40 HQ Load Quantity	: 1100 Units
Load Capacity	: 15 Kg
Material	: Polypropylene
Speed	: Two Speed

Functional Specifications :

- * 2-In-1 Activity Walker.
- * Multi-Directional Wheels.
- * Melodious Music & Light.
- * Padded Seat & Foldable Design.
- * Rear Wheel With Speed Control.
- * 4 Level Of Seat Height Adjustment.
- * Breathable & Comfortable Cushion.
- * 3 Level Of Frame Height Adjustment.
- * Game Tray Can Be Converted Into A Food Tray.

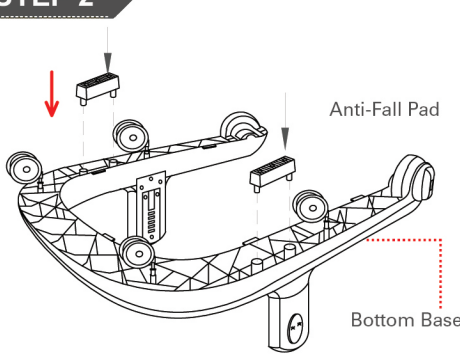
Baxley Baby Walker Assembly Illustrations

STEP 1



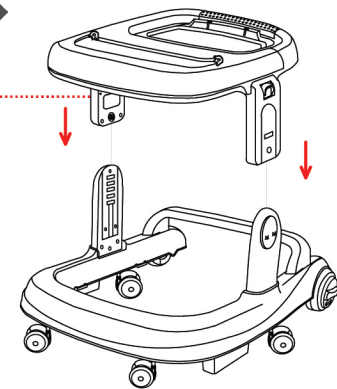
Walker Wheel Assembly

STEP 2



Anti-Fall Pad Assembly

STEP 3



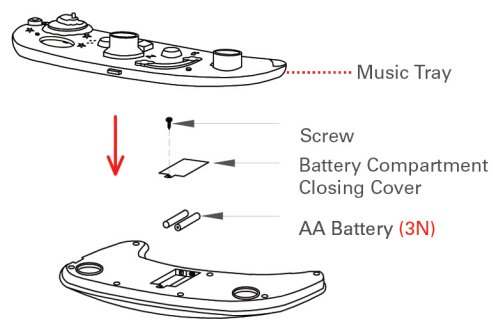
Top Frame Assembly

Press Fit all 4 Wheels to the Base Frame.

Press Fit the Anti-Fall Pad to the Base bottom as Illustrated.

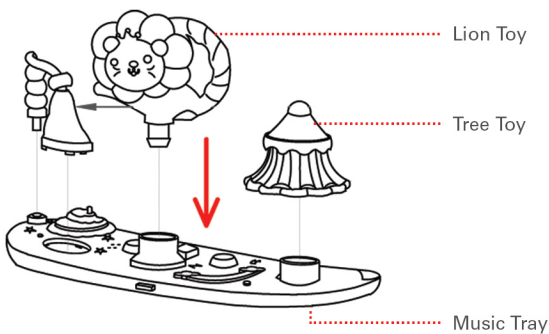
Press Fit the Top Frame to the Base bottom as Illustrated.

STEP 4



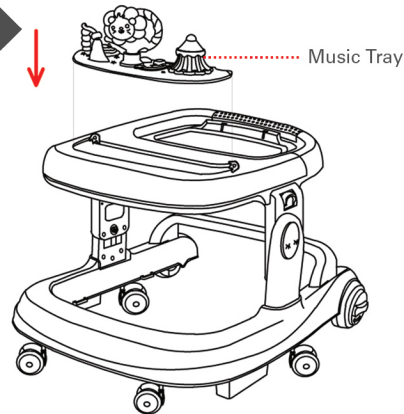
Tray Battery Assembly

STEP 5



Music Tray Toys Assembly

STEP 6



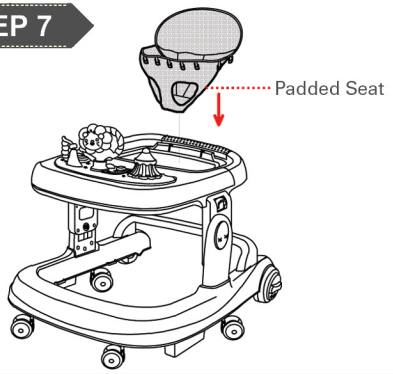
Music Tray Assembly

Unscrew the battery Cover; Insert Cells with Correct Polarity and fix the Cover with Screw.

Press Fit all the Toys to the Music Board as illustrated.

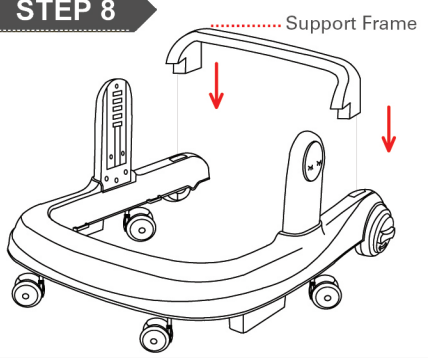
Press Fit Music Tray to the Walker as illustrated.

STEP 7



Walker Seat Assembly

STEP 8



Support Part Assembly

Press Fit the Seat to the Top Frame as Illustrated.

Press Fit the Support Frame to the Bottom Base as Illustrated.

Assembly Steps :

- * This product requires adult assembly. Please set aside at least 10 minutes for assembly.
- * Please identify all parts before assembly and save all packaging material until assembly is complete to ensure that no parts are discarded.
- * Assembly tools needed: **Screwdriver, Pliers & Spanner (Not Included).**



WARNING !

Read the instructions carefully before use and keep them for the future Reference. Child may get hurt if you do not follow these instructions.

- * Prevent access to stairs, steps and uneven surfaces.
- * Prevent collision with glass doors, windows, and furniture.
- * Do not use the baby walker if any components are broken or missing.
- * This baby walker should be used only for 20 minutes a day.
- * This baby walker is intended to be used by children Age 6 ~ 24 months.
- * It is not intended for children Weighing more than 15 Kgs.
- * Do not use replacement parts other than those approved by Company.
- * Do not use until the baby can sit up by itself.
- * Clean friction components regularly to maintain good performance.
- * The baby walker is intended to be assembled by an adult.
- * Height of the seat must be according to child's need.
- * When child is in walker, feet must touch the floor.

Battery Warning !

- * Non-rechargeable batteries are not to be charged.
- * Different types of batteries or new and used batteries not to be mixed.
- * Exhausted batteries are to be removed from the toy.
- * The supply terminals are not to be short-circuited.
- * Batteries of the same type as recommended are to be used.
- * Batteries are to be inserted with the correct polarity.
- * Rechargeable batteries only to be charged under adult Supervision.
- * Do not throw batteries in open fire.

Caution !

- * Depleted or Unusual batteries must be disposed off separately. It is forbidden to throw them out in house hold waste containers. Dispose the batteries at the specified places.
- * Never leave child unattended.

Trouble Shooting

No Music or Light

- : 1. Check Polarity of Battery.
- 2. Replace Old Battery with the new One.
- 3. Music/Light Switch is Clogged / Switched Off.

Speaker Sound is Low

- : 1. International Safety Standards Permit Sound Level than 65db.
- 2. Loud sound may damage ear-drum of the baby.

Wheel Not Fitting

- : Please ensure that all the wheels are of same type and not mixed with other model wheels while packing. If it is so, write to the **customer@parul toys.co.in** for correct wheels.

Frame is Tilted

- : It is quite normal when walker is shipped and is kept under heavy weight above it. Just tilt it with the hand is opposite direction till it is balanced.

Seat Does Not Fit

- : Please ensure that the right seal is Supplied. Some times, while packing; other model seat might have been shipped erroneously. In all such Cases; Write to **customer@parul toys.co.in** to get the right seat.

White Marks on Frame

- : It is quite normal for a walker which is made of virgin plastic. It will be quite obvious if the walker is of dark colors. It happens because of pointed impact on the body. Trust me it is not a manufacturing defect. To remove the white dots, take the normal household hair dryer and blow hot air on the spot from 6 Inch distance. The Spot will Disappear.

SCAN FOR MORE DETAILS



WWW.PARULTOYS.CO.IN



LEOTOON

...a brand by **Parul Toys India Private Limited**

Factory : Plot 23-24, Sumangali Nagar, Vadaperumbakkam, Chennai-600060

Corporate Office : Suite I, 766, Shakti Tower, 6th Floor, Mount Road, Chennai-2

 **Web:** www.parul toys.co.in    **Follow us:** /leotoonindia

Customer Care : +91 917-679-6955 ; customercare@parul toys.co.in

Company Owned Brands :



#startupindia

Sedex

