



# OWNER'S MANUAL

Assembly & Operational Instructions



INDIA'S NO 1 BRAND

STREET BIKE

SERIES

**HARLEY QUINN BIKE**

IS15644:2006



CM/L6700079217

[www.bis.gov.in](http://www.bis.gov.in)

\* Also Comply with International Safety Standard

ISO8124, En71, ASTM F963, ST, GCC, AS/NZS 8124, CCPSA, 55474

# ABOUT "LEOTOON" PRODUCT

Thank you for purchasing leotoon Ride-ons. We have devoted ourselves to create comfortable and safe electronic toys, thus offering a colorful childhood for your children.



It is very important to read these instructions carefully before usage. This instruction Book not only specifies assembly process but also proper application method. It also helps to avoid injury or damage to the product in case of incorrect operation.



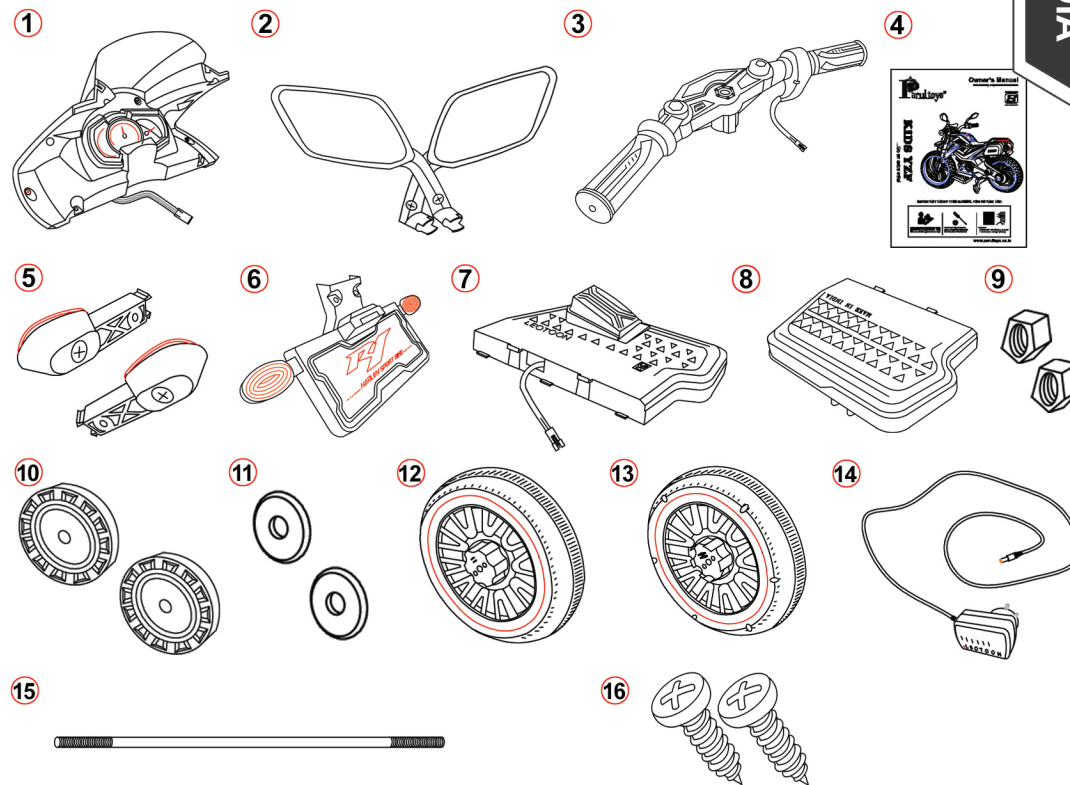
This product can be operated in Battery Operated mode with Forward, Reverse, Left, Right, and equipped with functions like headlight, built-in music playing.

If you are missing a part, please call us at +91 9176-796-955 or write to [director@parultoy.com](mailto:director@parultoy.com) rather than return this product to the store.

Wipe the surface of the each part with a clean, and cloth to remove any dust or oils.

Please identify all parts before assembly and save all packaging material until assembly is complete to ensure that no parts are discarded.

## All parts to be assembled by customer only



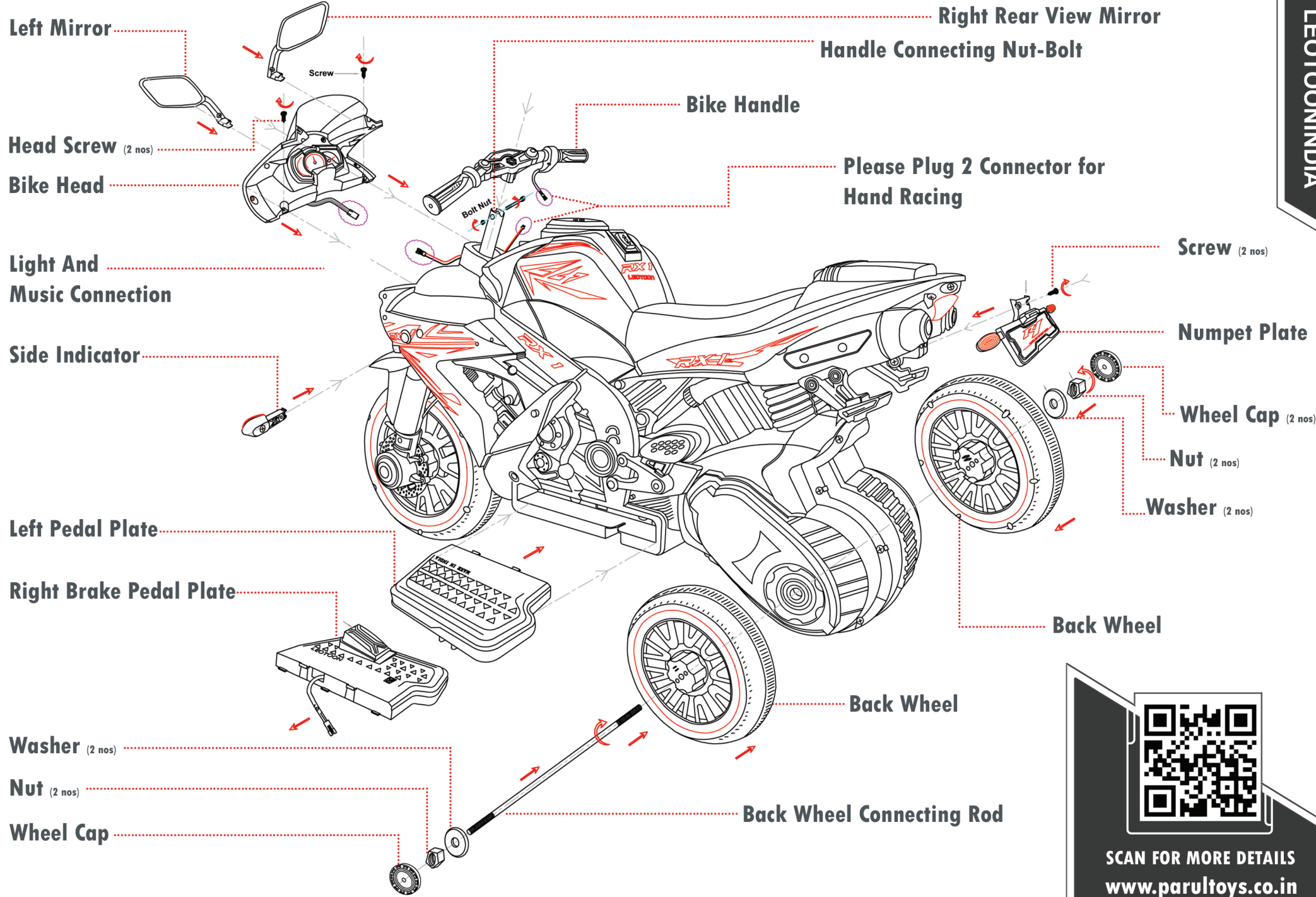
# SPECIFICATION

Model Number	LFB-R1M-3 Wheel
Battery Specification	1B (6V/5AH) VRLA Battery
Motor Specification	2M (380W) 6V/20000 RPM
Accelerator	Hand Accelerator
Age	3 to 6 Years
Package Dimensions	L84 * W33 * H48 (Cm)
Product Dimensions	L90 * W45 * H60 (Cm)
Gross Weight	10.450 Kg
Net Weight	9.270 Kg
Input Power Supply	AC 220~240V; 50Hz
Output Power Supply	DC 12V/1000mA
Charging Time	8~12 Hours
Running Time	2~3 Hours
Rechargeable Life	About 300 Times

## LFB-BDQ8100 X-Trail Parts List Details

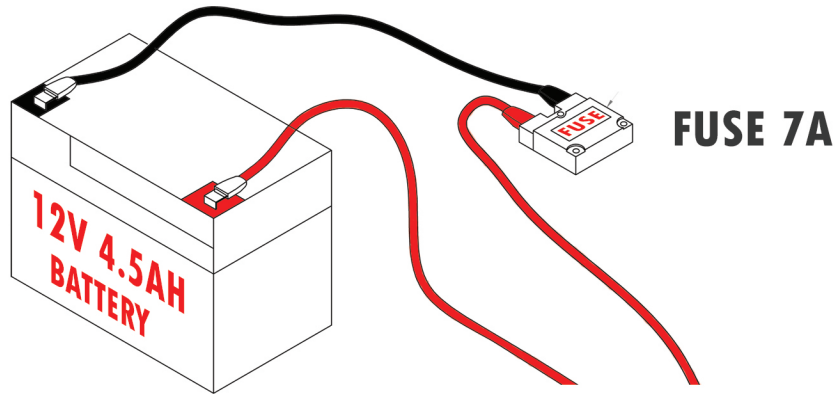
1	Bike Head	7	Right Brake Pedal	13	Back Wheel-2
2	Rear View Mirror	8	Left Pedal Plate	14	6V Charger
3	Bike Handle	9	Wheel Nut (2 nos)	15	Wheel Rod
4	Owner Manual	10	Wheel Cap (2 nos)	16	Screws
5	Indicator (4 nos)	11	Washer (2 nos)		
6	Number Plate	12	Back Wheel-1		

# LEOTOON X-TRAIL BIKE DIY ASSEMBLY VIEWS



SCAN FOR MORE DETAILS  
[www.parultoy.co.in](http://www.parultoy.co.in)

## BATTERY AND FUSE CONNECTION VIEW



### Possible Cause : Thermal fuse has tripped.

The car is equipped with a self-resetting fuse. When the car is overloaded or operated incorrectly; the self-resetting fuse will be cut off for 60 seconds before becoming operational again. The Self-resetting fuse is under the seat ( Refer to the picture).

### To Avoid the fuse cut off the power, follow these guidelines:

DO NOT overload the car, Maximum weight allowed: 30kg  
 DO NOT tow anything behind the car.  
 DO NOT drive up steep slopes.  
 DO NOT drive into fixed objects, which may cause the wheels to spin, causing the motor to overheat.  
 DO NOT drive in very hot weather, components may overheat.  
 DO NOT tamper with the electric system, doing so may create a short circuit, Causing the fuse to trip.

### Possible Cause : Battery Connector or wires are loose.

Make sure the battery connectors are firmly plugged into each other.

### Possible Cause : Battery is dead.

Have you properly maintained the battery according to the directions ? Is the battery Old ? Your battery may need to be replaced.

### Possible Cause : Electric System is Damaged & Motor is damaged.

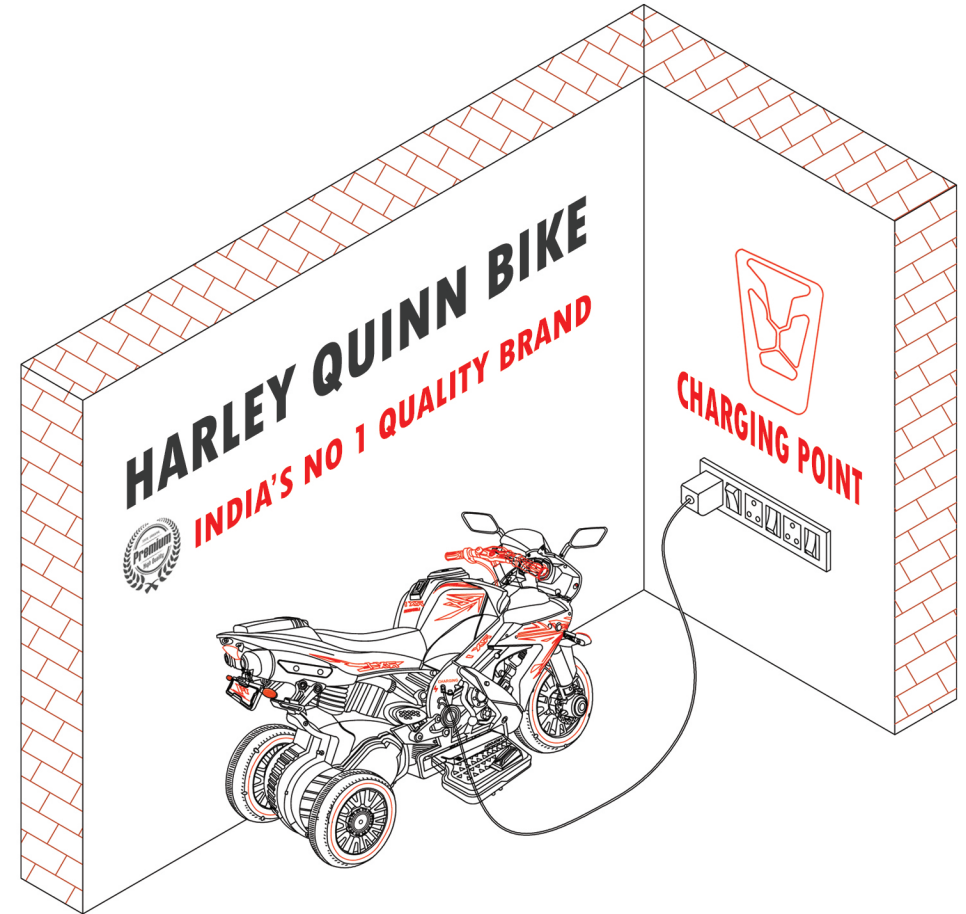
Water may have corroded the system, or loose dirt, gravel or sand might have jammed the switch. The motor needs professional repair.

### Problem : The Battery Will Not Recharge.

**Battery connector or adapter connector is loose.** Make sure the battery connector and adapter connector are firmly plugged together.

**Charger is not plugged in.** Make sure the charger is plugged into the wall outlet and the power flow to the outlet is on.

**Charger is not working.** Is the charger warm while charging ? If not, charger may not work properly and may need to be replaced.



## BATTERY CHARGING

First plug the charger connector into the battery socket. Then plug the charger into a standard wall outlet. Use the charger only in a wall outlet. Do not plug the charger into a ceiling outlet.

If power flow to the wall outlet is controlled by a switch, make sure the switch is "ON"

Once the battery is charged, remove the charger connector from the battery and then unplug the charger from the wall outlet. Refer to the battery installation section for instructions to install your battery. If your battery is already installed in your vehicle, simply reconnect the motor harness connector to the battery.

**Adults Note:** Periodically examine this battery charger for damage to the cord, housing or other parts that may result in the risk of fire, electric shock or injury. If the battery charger is damaged, do not use it.

**Make sure you charge the battery for at least 18 hours using the enclosed 12 volt charger before operating your vehicle for the first time.**

Charge the battery for at least 12 hours after each use of the vehicle.

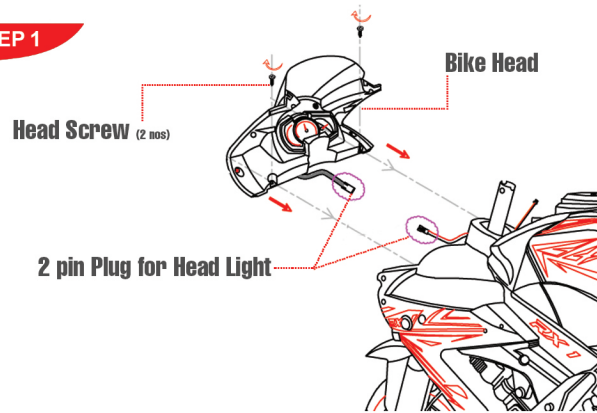
Do not remove the battery from your vehicle to recharge it. Never charge the battery longer than 24 hours. Failure to follow these instructions may damage your battery and will void your warranty.

Before charging the battery, examine the battery case for cracks and other damage which may cause electrolyte to leak during the charging process. Battery acid is very corrosive and can cause severe damage to surface it contacts with.

Charge the battery in a well ventilated area.

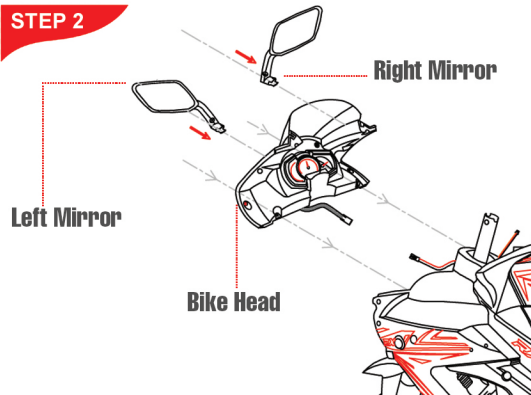
## PARTS AND ACCESSORIES ASSEMBLY STEPS

STEP 1



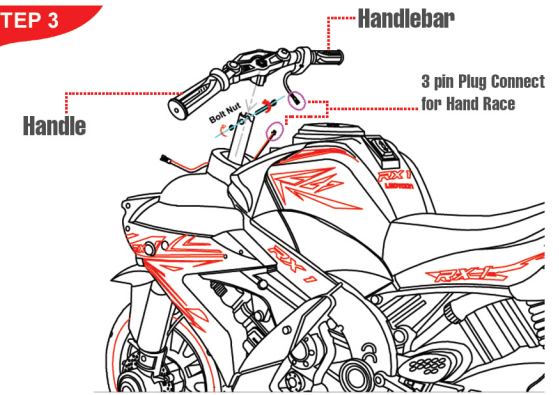
Head Assembly

STEP 2



Mirror Assembly

STEP 3



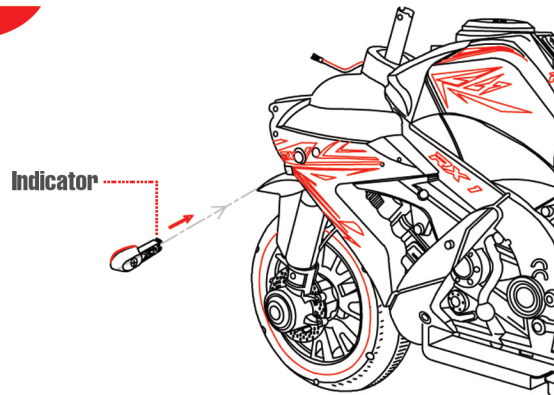
Handle Assembly

Step 1A : Please Connect the 2 Pin Plug For HeadLight  
Step 1B : Screw Fit the Head to Bike

Step 2A : Snap Fit the Rear View Mirror to Bike

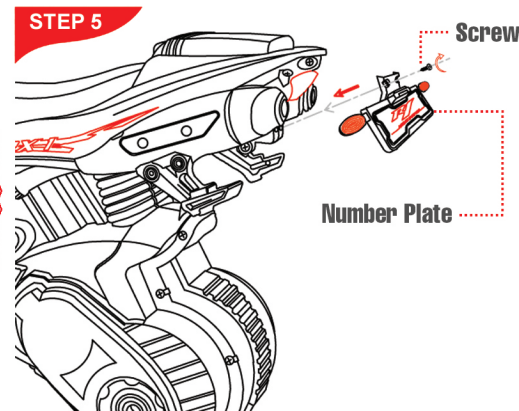
Step 3A : Please Connect the 3 pin Plug to Bike  
Step 3B : Fix the Handle to Bike

STEP 4



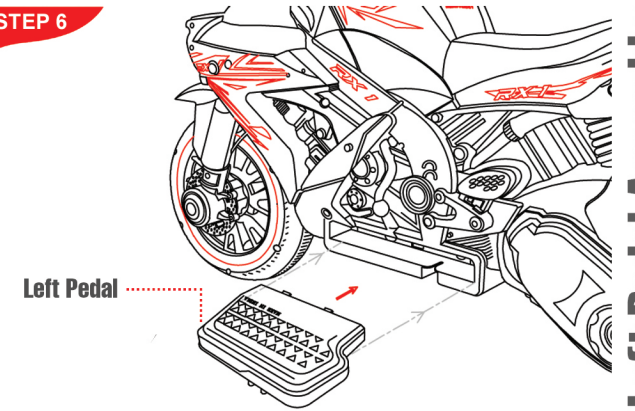
Indicator Assembly

STEP 5



Front Wheel Assembly

STEP 6



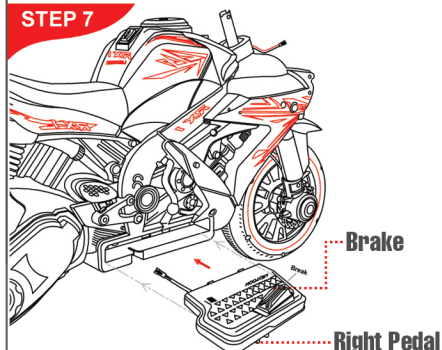
Left Pedal Assembly

Step 4A : Snap Fit the Indicator to Bike (Right and Left Side)

Step 5A : Fix the Front Wheel

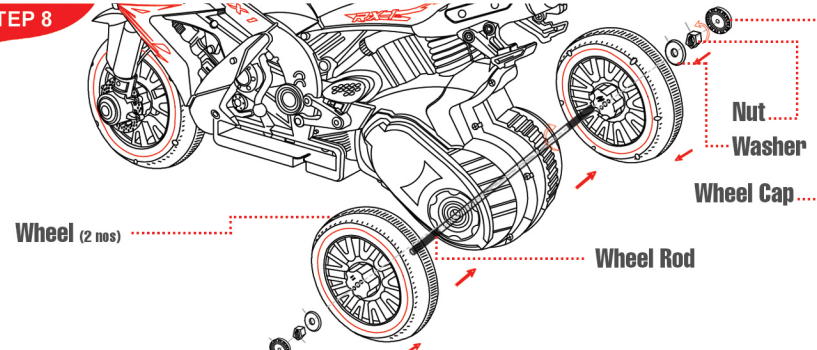
Step 6A : Please fix the Left Pedal Press to Bike bottom Inside

STEP 7



Right Pedal Assembly

STEP 8



Back Wheel Assembly

Step 7A : Connect the 2 Pin Plug for Brake  
Step 7B : Please fix the Brake Pedal to Bike

Step 8A : Please fix the Center Rod to Bike  
Step 8B : Please Connect the Wheel Both Side Then Fix Nut

## Assembly Steps

- \* This product requires adult assembly. Please set aside at least 40 minutes for assembly.
- \* Children can be harmed by small parts, sharp edges and sharp points in the vehicle's unassembled state. Care should be taken in unpacking and assembly of the vehicle. Children should not handle parts, or help in assembly of the vehicle.
- \* Please identify all parts before assembly and save all packaging material until assembly is complete to ensure that no parts are discarded.
- \* Assembly tools needed: **Screwdriver (Not included), Pliers (Not included), Spanner (Not Included)**



**LEOTOON**

# **LEOTOON INDIA PRIVATE LIMITED**

**Plot 23-24, Sumangali Nagar, Vadapeumbakkam, Chennai 600060.**

**Contact : +91 917 679 6955**



**Follow us : /leotoonindia**